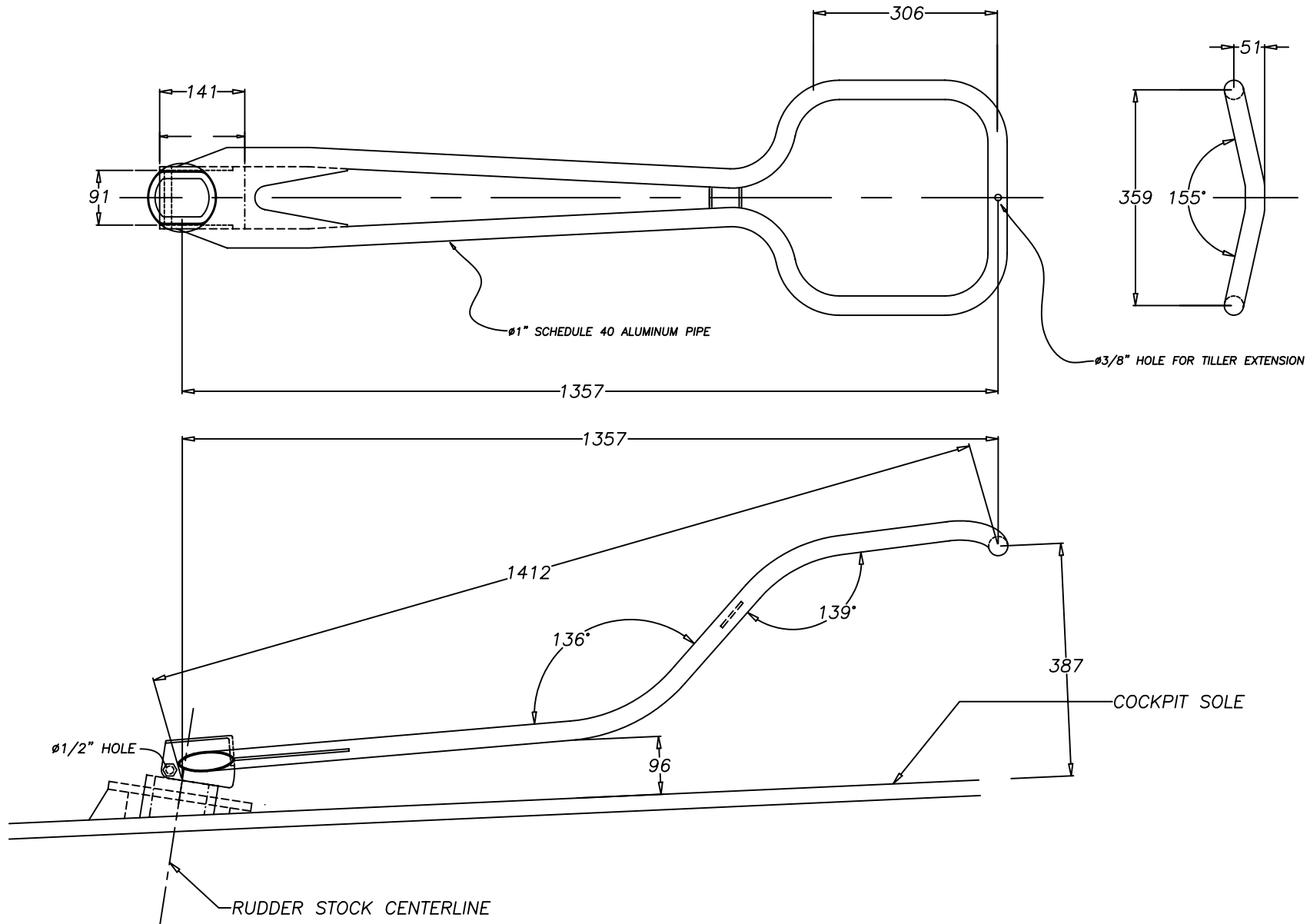


DRAWING 30

LOW BOY TILLER



Builder's Weight - 3.8 kg.

WATERLINE SYSTEMS / USWATERCRAFT

This Drawing in detail is the property of US WATERCRAFT and is intended for the construction specified only. This drawing must not be reproduced without US WATERCRAFT'S written consent. Builder must check all dimensions and content given on the drawing and advise designer of any discrepancies before commencing construction.

USWATERCRAFT, LLC. Phone: 401-682-1661
 225 Alexander Road Fax: 401-682-1620
 Portsmouth, RI 02871 www.uswatercraft.com

Title: **MODIFIED (LO-BOY) TILLER**

Drawn By: CWC DWG. No. USWC F40-11 Rev No.

Date: 4/17/07 Scale: NONE Rev Date: